

Big City Plus - Vancouver Plus

Playdale
Playgrounds



A junior modular tower system comprising of:

- Square Tower (1.5m)
- Square Tower 1.1m)
- Lookout Tower
- Slide (1.5m)
- Twisted Climbing Net (1.1m)
- Climbing Wall (1.1m)
- Fireman's Pole (1.5m)
- Inclined Bridge (without net ring)
- Overhead Hand Sliders
- Inclined Hoop Bars

Code – BC/VAN*1

Age

5-12 years

Materials

Stainless Steel

Compact Grade Laminate (CGL)

Nylon Steel Cored Rope

Various Plastic Mouldings

LLDPE Slide

Technical Information

Equipment Dimensions

Length / Width / Height **7.8m x 4.4m x 3.1m**

Surfacing and Area Required

Recommended Minimum Space
L/W/H **11.2m x 8.1m x 4.3m**

Max Gradient of Ground **1 in 50**

Free Height of Fall **1.85m**

Impact Area **60.58m²**

Synthetic Area
(i.e. EPDM / Wet Pour / Synthetic Grass etc.) **64.54m²**

Loosefill at 250mm
(i.e. Bark / Cushionfall / Sand) **19m³**

GrassLok Tiles **80m²**

Installation Information

SGF

SF (if different)

Installation Time **2 Persons 19 Hours**

Overall Weight **903kg**

Heaviest Part **40kg**

Largest Part **3.0m x 0.9m x 0.6m**

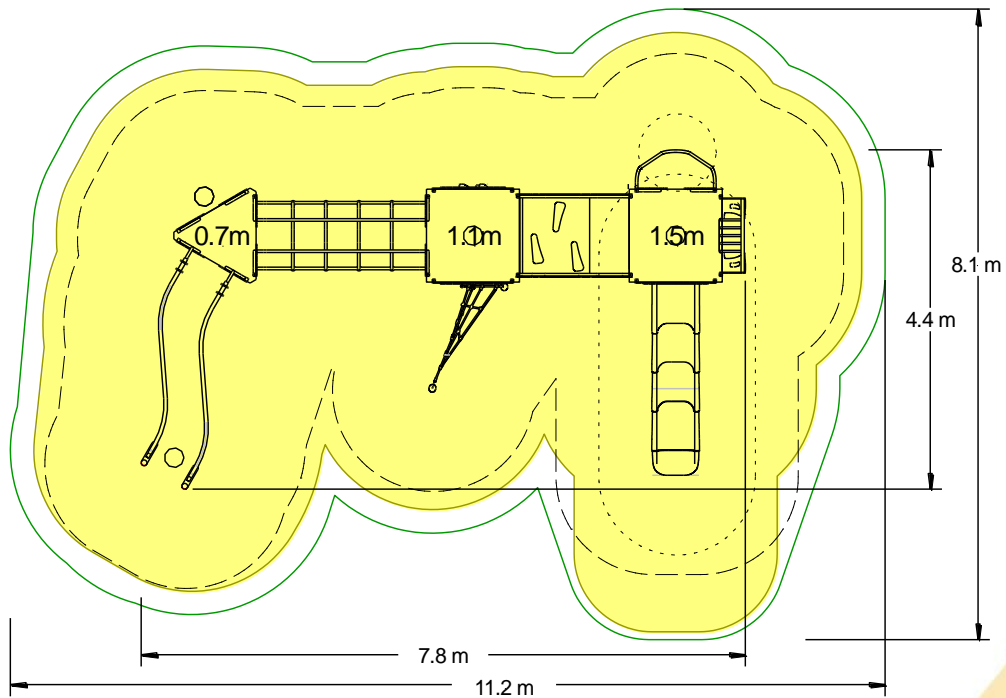
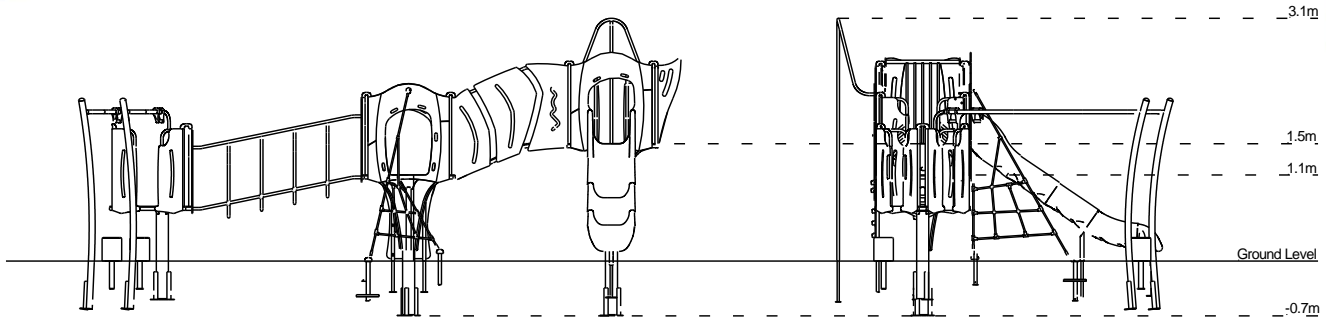
Longest Part **3.0m**

Concrete Required **1.01m³** **1.56m³**

Certified to ASTM F1487

[Click here for more information & downloads](#)





-  Recommended Minimum Space
-  Impact Area
-  Free Space
-  Unit Spacing Boundary

[Click here for more information & downloads](#)

