

Big City Plus - Turin Plus



-  **Option A**
Dark Blue & Orange
(shown)
-  **Option B**
Purple & Yellow
-  **Option C**
All Green

Code – BC/TUR*1

Age

5-12 years

Materials

- Stainless Steel
- Compact Grade Laminate (CGL)
- Nylon Steel Cored Rope
- Various Plastic Mouldings
- LLDPE Slide

A junior modular tower system comprising of:

- Square Tower (1.9m)
- Square Tower (1.5m)
- Square Tower (1.1m)
- Lookout Tower
- Slide (1.9m)
- Climbing Wall (1.9m)
- Rope Climb (1.5m)
- Fireman's Pole (1.5m)
- Twisted Climbing Net (1.1m)
- Pole Slide (1.1m)
- Inclined Net Bridge
- Inclined Bridge (without net rings)
- Musical Above Play Panel

Technical Information

Equipment Dimensions

Length / Width / Height **5.7m x 5.5m x 3.1m**

Surfacing and Area Required

Recommended Minimum Space L/W/H **9.5m x 9.2m x 5.6m**

Max Gradient of Ground **1 in 50**

Free Height of Fall **1.9m**

Impact Area **57.86m²**

Synthetic Area
(i.e. EPDM / Wet Pour / Synthetic Grass etc.) **60.53m²**

Loosefill at 250mm
(i.e. Bark / Cushionfall / Sand) **18m³**

GrassLok Tiles **79m²**

Installation Information

SGF

SF (if different)

Installation Time **2 Persons 23 Hours**

Overall Weight **811kg**

Heaviest Part **33kg**

Largest Part **2.4m x 0.9m x 0.6m**

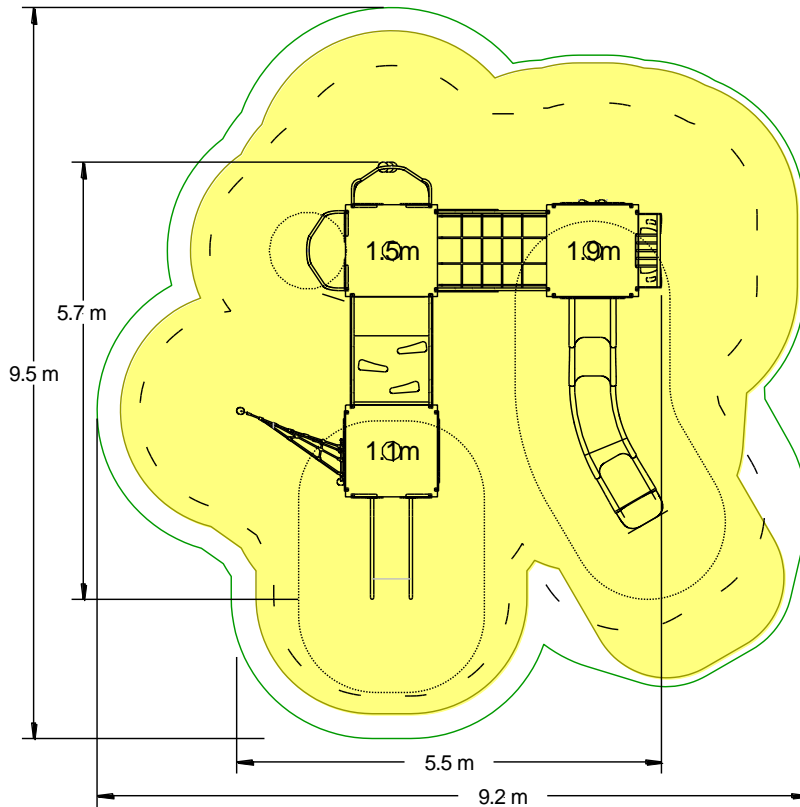
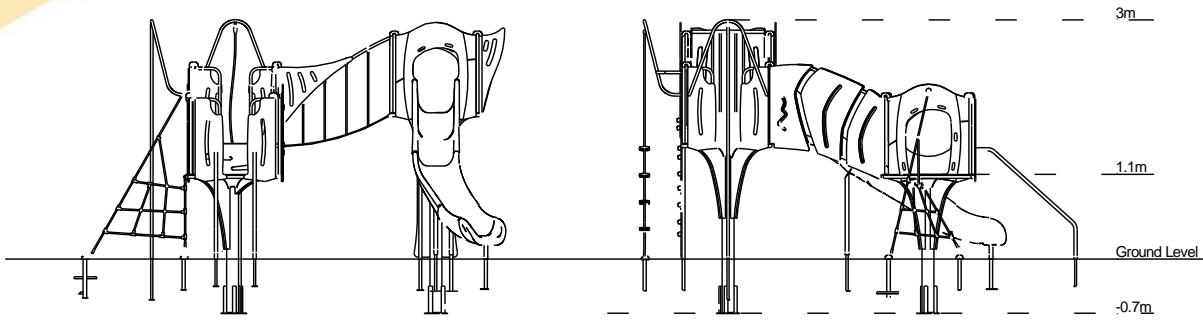
Longest Part **2.4m**

Concrete Required **1.15m³** **1.75m³**

Certified to ASTM F1487

[Click here for more information & downloads](#)





-  Recommended Minimum Space
-  Impact Area
-  Free Space
-  Unit Spacing Boundary

[Click here for more information & downloads](#)

