

# Big City Plus - St Louis Plus



**Option A**  
Dark Blue & Orange  
(shown)

**Option B**  
Purple & Yellow

**Option C**  
All Green

**Code – BC/STL\*1**

## Age

5-12 years

## Materials

Stainless Steel

Compact Grade Laminate (CGL)

Nylon Steel Cored Rope

Various Plastic Mouldings

LLDPE Slide

## A junior modular tower system comprising of:

- Sky Tower
- Side Ladder (1.9m)
- Climbing Wall (1.9m)
- Ball Blast Above Play Panel
- Puzzle Ball Below Play Panel
- Electronic Reaction Play Panel

## Technical Information

### Equipment Dimensions

Length / Width / Height **6.5m x 2.9m x 4.2m**

### Surfacing and Area Required

Recommended Minimum Space L/W/H **9.6m x 7.4m x 5.4m**

Max Gradient of Ground **1 in 50**

Free Height of Fall **2.8m**

Impact Area **47.53m<sup>2</sup>**

Synthetic Area  
(i.e. EPDM / Wet Pour / Synthetic Grass etc.) **49.40m<sup>2</sup>**

Loosefill at 350mm  
(i.e. Bark / Cushionfall / Sand) **19m<sup>3</sup>**

GrassLok Tiles **65m<sup>2</sup>**

### Installation Information

SGF

SF (if different)

Installation Time **4 Persons 20 Hours**

Overall Weight **876kg**

Heaviest Part **186kg**

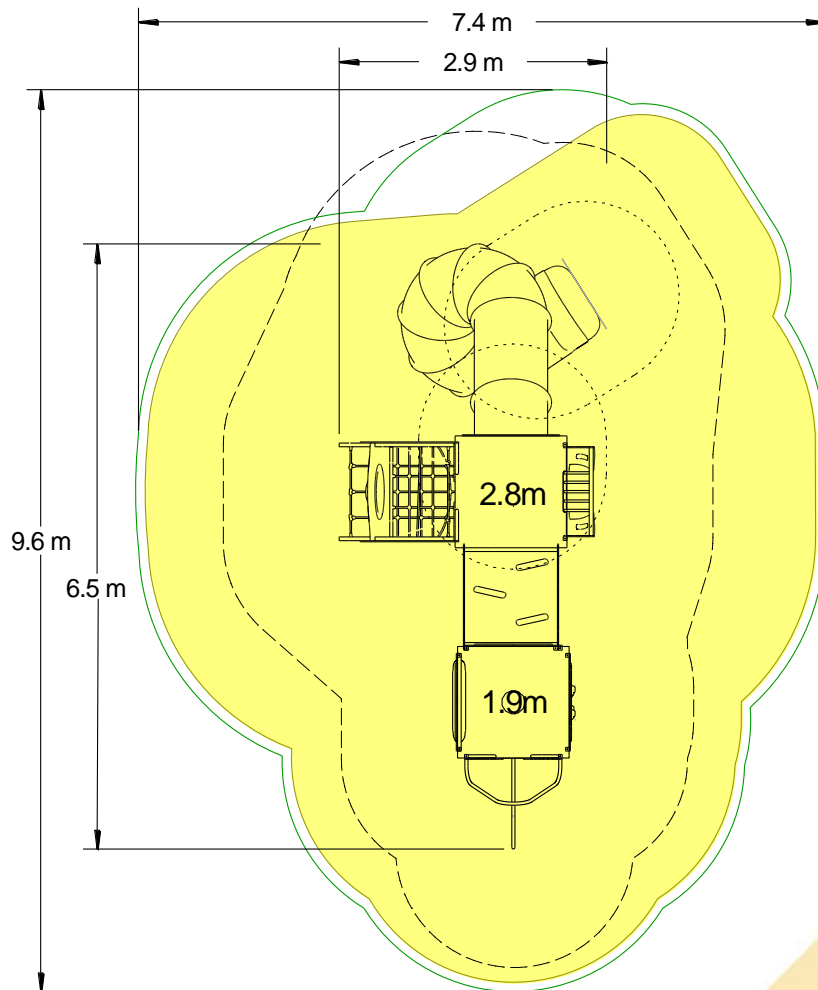
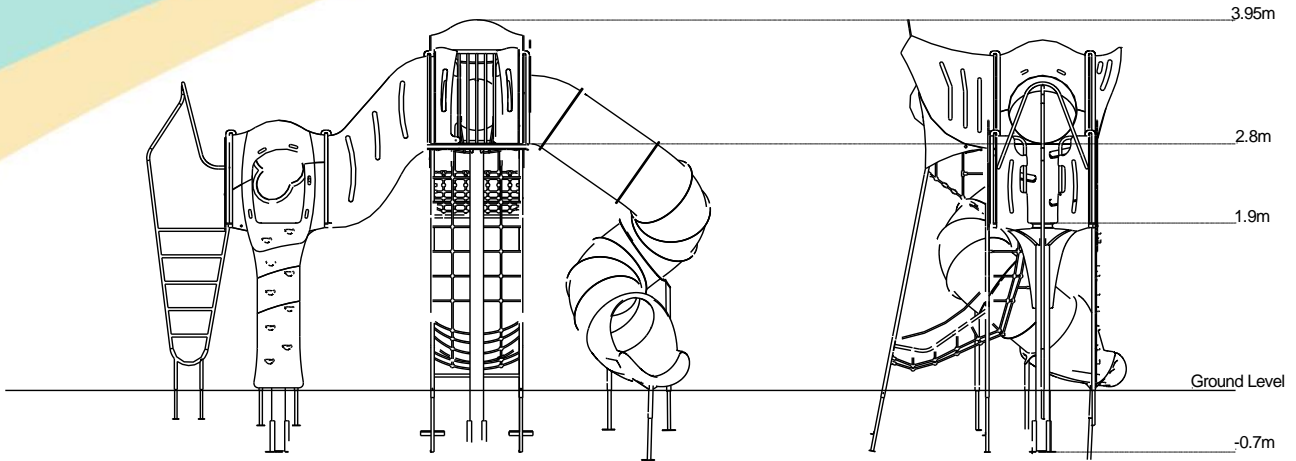
Largest Part **3.5m x 2.2m x 2.2m**

Longest Part **3.5m**

Concrete Required **1.63Xm<sup>3</sup>** **1.44m<sup>3</sup>**

Certified to ASTM F1487

[Click here for more information & downloads](#) 



-  Recommended Minimum Space
-  Impact Area
-  Free Space
-  Unit Spacing Boundary

[Click here for more information & downloads](#)

