

Big City Plus - Lillehammer Plus



Option A
Dark Blue & Orange
(shown)

Option B
Purple & Yellow

Option C
All Green

A junior modular tower system comprising of:

- Triangular Tower (1.1m)
- Slide (1.1m)
- Fireman's Pole (1.1m)
- Side Ladder (1.1m)

Code – BC/LIL*1

Age

5-12 years

Materials

Stainless Steel

Compact Grade Laminate (CGL)

Nylon Steel Cored Rope

Various Plastic Mouldings

LLDPE Slide

Technical Information

Equipment Dimensions

Length / Width / Height **3.1m x 1.9m x 2.7m**

Surfacing and Area Required

Recommended Minimum Space L/W/H **7.0m x 5.4m x 3.9m**

Max Gradient of Ground **1 in 50**

Free Height of Fall **1.1m**

Impact Area **21.59m²**

Synthetic Area
(i.e. EPDM / Wet Pour / Synthetic Grass etc.) **22.35m² m²**

Loosefill at 250mm **8m³**

(i.e. Bark / Cushionfall / Sand)

GrassLok Tiles **33m²**

Installation Information

SGF

SF (if different)

Installation Time **2 Persons 2 Hours**

Overall Weight **2176kg**

Heaviest Part **32kg**

Largest Part **2.4m x 0.6m x 0.6m**

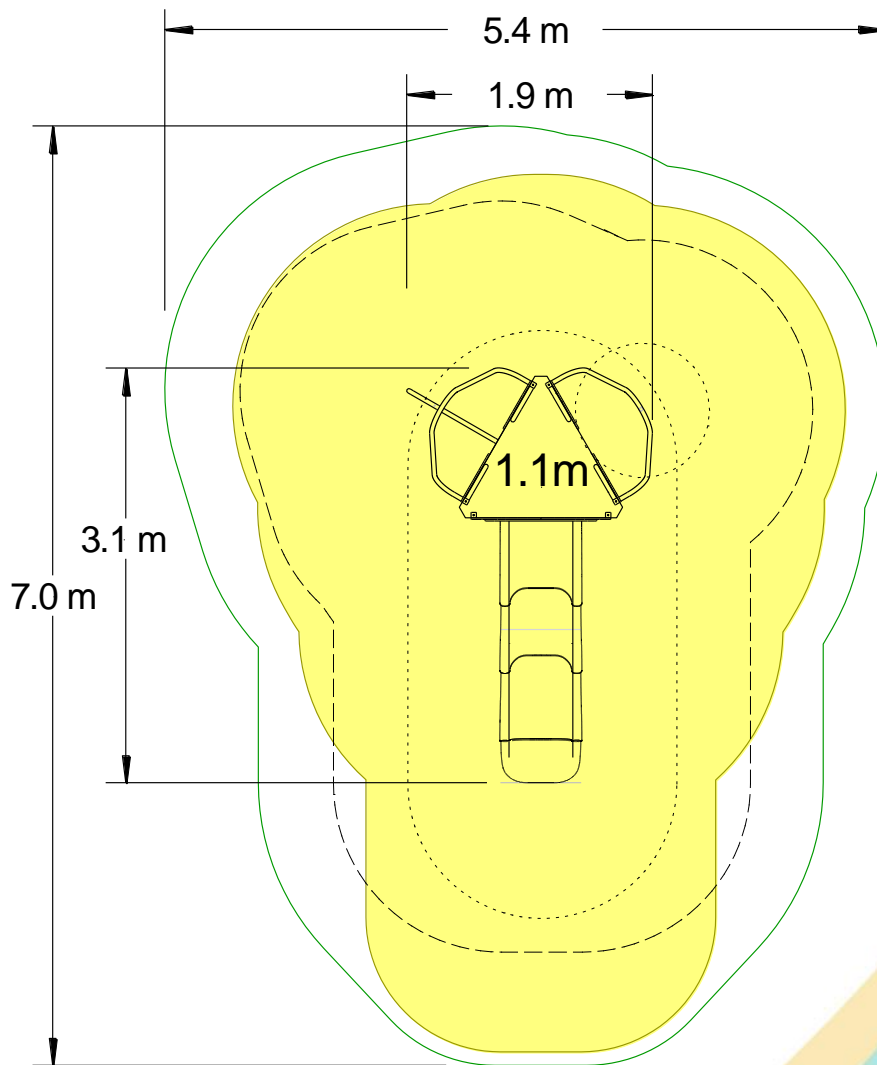
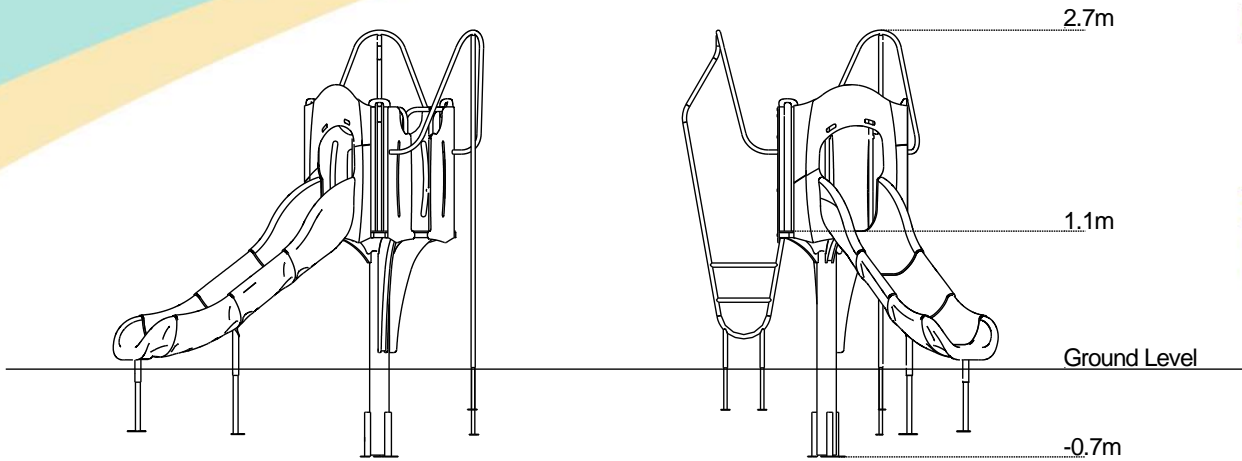
Longest Part **2.4m**

Concrete Required **0.34m³** **0.52m³**

Certified to ASTM F1487

[Click here for more information & downloads](#)





- Recommended Minimum Space
- Impact Area
- Free Space
- Unit Spacing Boundary

[Click here for more information & downloads](#)