

Big City Plus - Innsbruck Plus



Option A
Dark Blue & Orange
(shown)

Option B
Purple & Yellow

Option C
All Green

Code – BC/INN*1

Age

5-12 years

Materials

Stainless Steel

Compact Grade Laminate
(CGL)

Nylon Steel Cored Rope

Various Plastic Mouldings

LLDPE Slide

A junior modular tower system comprising of:

- Square Tower (1.9m)
- Slide (1.9m)
- Climbing Wall (1.9m)
- Twisted Scramble Net (1.9m)
- Spinner

Technical Information

Equipment Dimensions

Length / Width / Height **7.0m x 3.0m x 3.1m**

Surfacing and Area Required

Recommended Minimum Space
L/W/H **10.7m x 6.7m x 5.6m**

Max Gradient of Ground **1 in 50**

Free Height of Fall **1.9m**

Impact Area **40.11m²**

Synthetic Area
(i.e. EPDM / Wet Pour / Synthetic Grass etc.) **42.05m²**

Loosefill at 250mm
(i.e. Bark / Cushionfall / Sand) **13m³**

GrassLok Tiles **58m²**

Installation Information

SGF

SF (if different)

Installation Time **2 Persons 11 Hours**

Overall Weight **3004kg**

Heaviest Part **33kg**

Largest Part **2.4m x 0.9m x 0.6m**

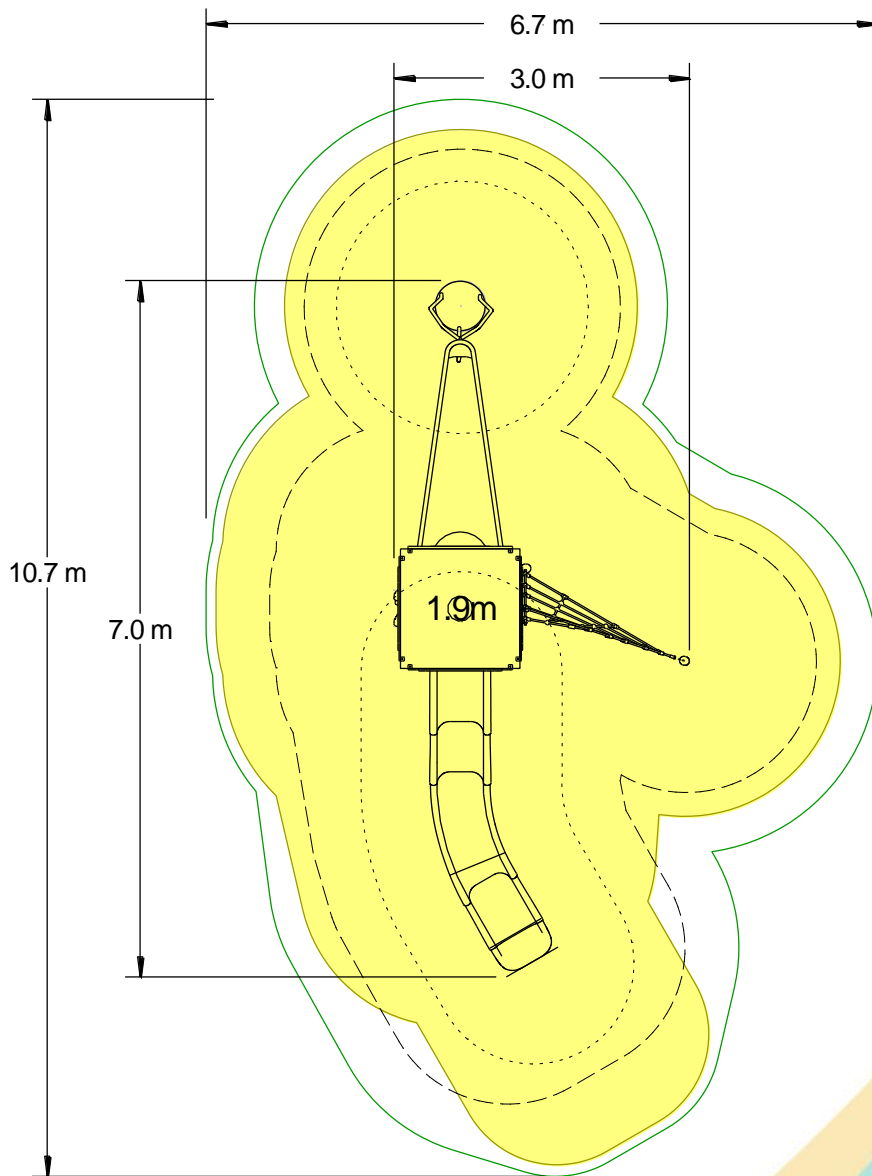
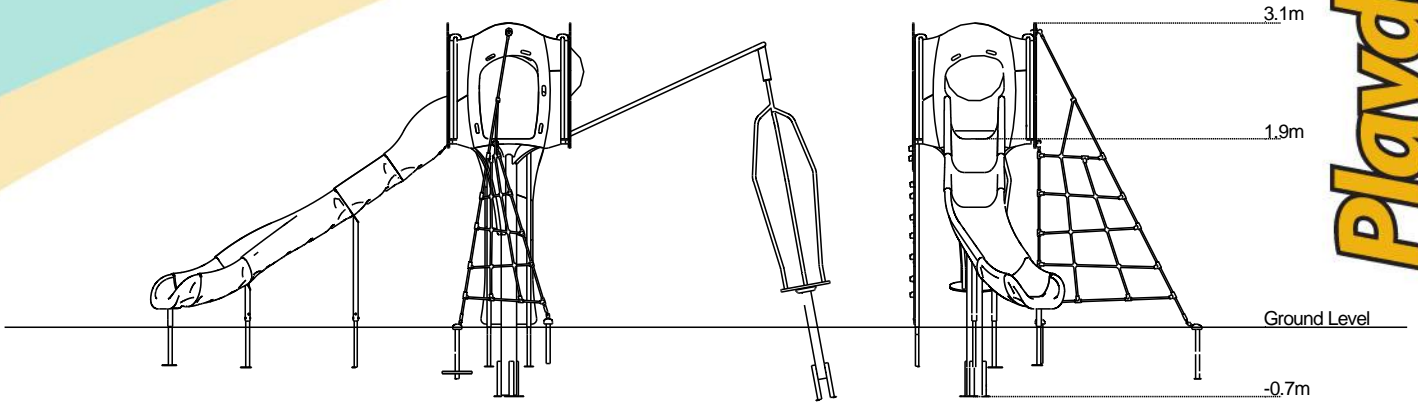
Longest Part **2.4m**

Concrete Required **0.4m²** **0.64m²**

Certified to ASTM F1487

[Click here for more information & downloads](#)





-  Recommended Minimum Space
-  Impact Area
-  Free Space
-  Unit Spacing Boundary

[Click here for more information & downloads](#)

