

Little Hamlets – Tothill Plus



A toddler tower system comprising of:

- Square Tower (0.55m)
- Slide (0.55m)
- Arched Ramp (0.55m)
- Arched Net (0.55m)
- Adding Wheel Play Panel

 **Option A-**
Light Blue/Yellow

 **Option B-**
Purple/Yellow

 **Option C-**
Green
(Shown)

Code – LTH/OTH/*1

Age	2-5 years
Materials	Laminated Timber Compact Grade Laminate (CGL) Galvanised or Painted Mild Steel Nylon Steel Cored Rope LLDPE Slide Stainless Steel Various Plastic Mouldings

Technical Information

Equipment Dimensions

Length / Width / Height **2.3m x 1.2m x 1.9m**

Surfacing and Area Required

Recommended Minimum Space
L/W/H **6.0m x 4.8m x 3.0m**

Max Gradient of Ground **1 in 50**

Free Height of Fall **0.55m**

Impact Area **15.87m²**

Synthetic Area
(i.e. EPDM / Wetpour / Synthetic Grass etc.) **11.63m²**

Loosefill at 150mm
(i.e. Bark / Cushionfall / Sand) **4m³**

1m x 1m Grassmats **19m²**

Installation Information

Steel Ground Fixed

Surface Fixed
(if different)

Installation Time **2 Person(s) 6 Hour(s)**

Overall Weight **131kg**

Heaviest Part **13kg**

Largest Part **1.2m x 0.5m x 0.5m**

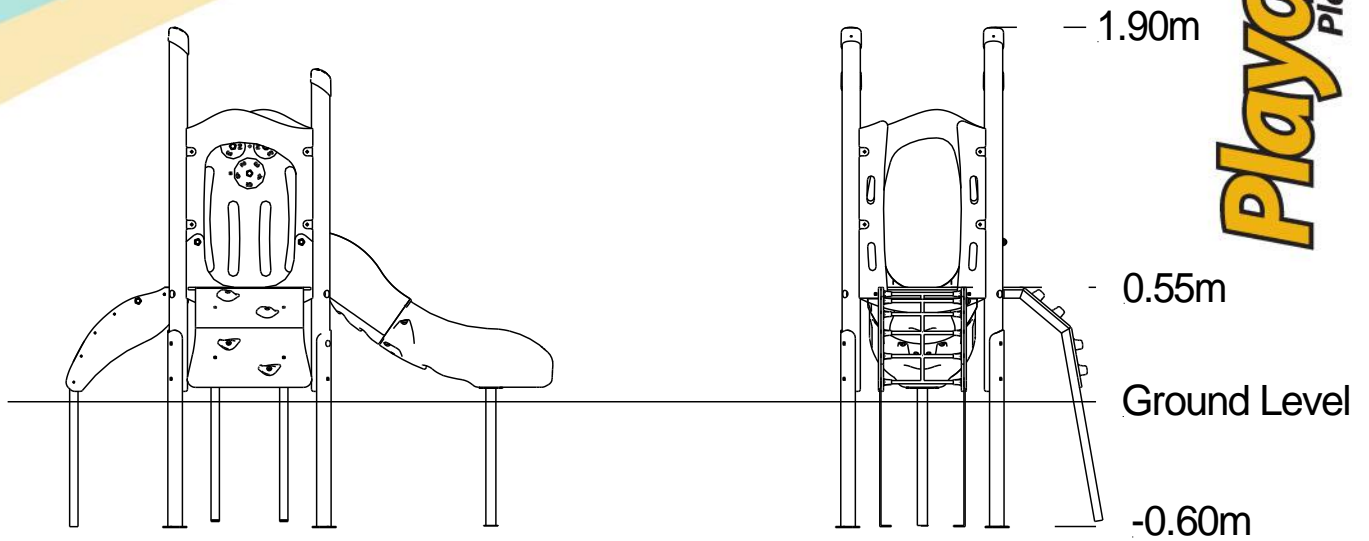
Longest Part **1.2m**

Concrete Required **0.5m³**

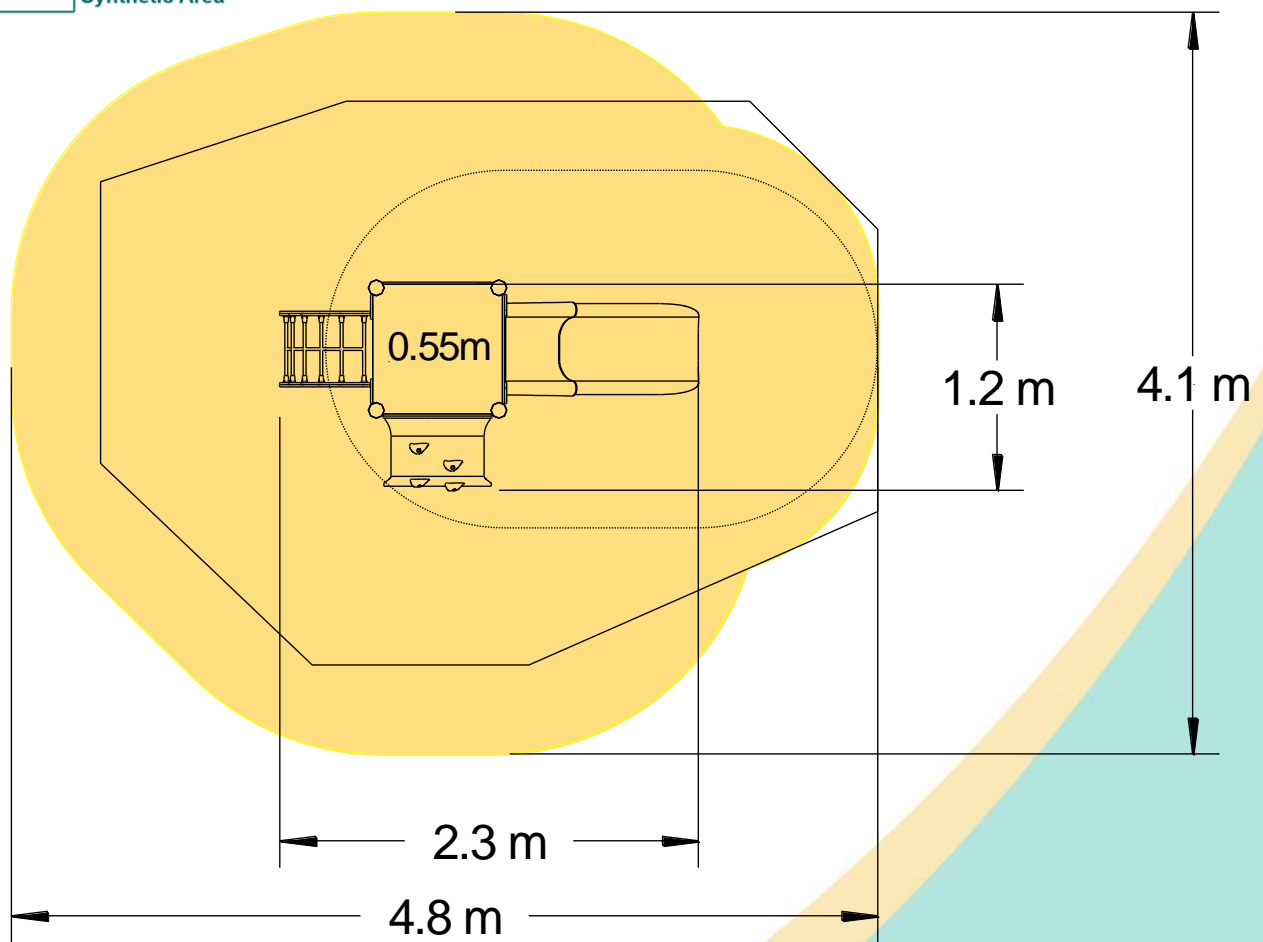
Certified to EN 1176

[Click here for more information & downloads](#)





-  Impact Area
-  Free Space
-  Synthetic Area



[Click here for more information & downloads](#)

