

## Jukebox- Shimmy Plus



-  Option A- Dark Blue/Yellow
-  Option B- Purple/Lime Green (Shown)
-  Option C- Green

**Code – JB/SHM/\*1**

### Age

5-12 years

### Materials

Laminated Timber  
Compact Grade Laminate (CGL)  
Galvanised or Painted Mild Steel  
Nylon Steel Cored Rope  
Sawn Timber  
Stainless Steel  
Various Plastic Mouldings

### A Junior modular tower system comprising of:

- Square Tower (1.5m)
- Slide (1.5m)
- Rope Ramp (1.5m)
- Twisted Scramble Net (1.5m)
- Fireman's Pole (1.5m)
- Hangabout Seat

## Technical Information

### Equipment Dimensions

Length / Width / Height **5.3m x 2.4m x 3.4m**

### Surfacing and Area Required

Recommended Minimum Space L/W/H **9.1m x 6.3m x 4.6m**

Max Gradient of Ground **1 in 50**

Free Height of Fall **1.5m**

Impact Area **32.07m<sup>2</sup>**

Synthetic Area (i.e. EPDM / Wetpour / Synthetic Grass etc.) **29.79m<sup>2</sup>**

Loosefill at 250mm (i.e. Bark / Cushionfall / Sand) **11m<sup>3</sup>**

1m x 1m Grassmats **41m<sup>2</sup>**

### Installation Information

Steel Ground Fixed

Surface Fixed (if different)

Installation Time **2 Person(s) 8 Hour(s)**

Overall Weight **385kg**

Heaviest Part **40kg**

Largest Part **3.4m x 1.0m x 1.7m**

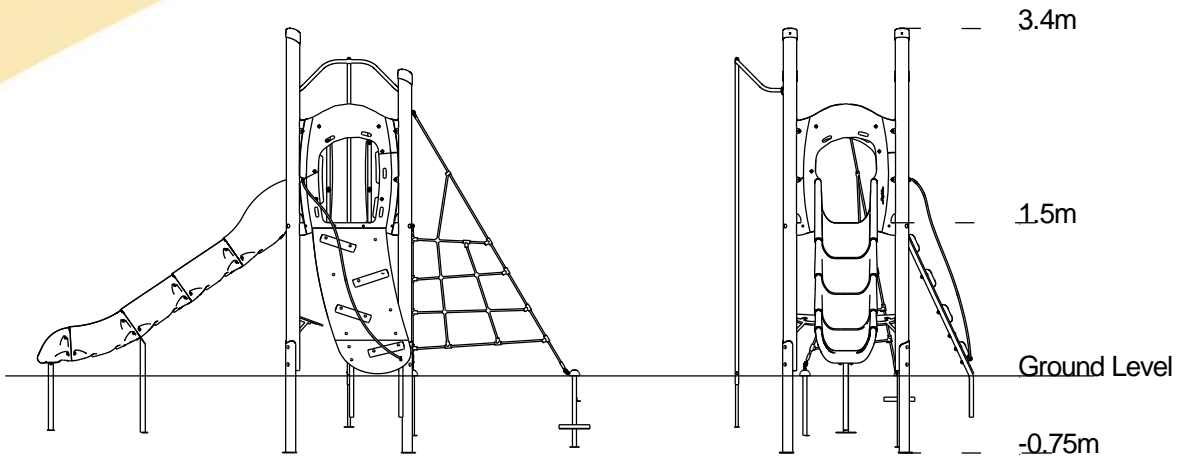
Longest Part **3.4m**

Concrete Required **0.6m<sup>3</sup>**

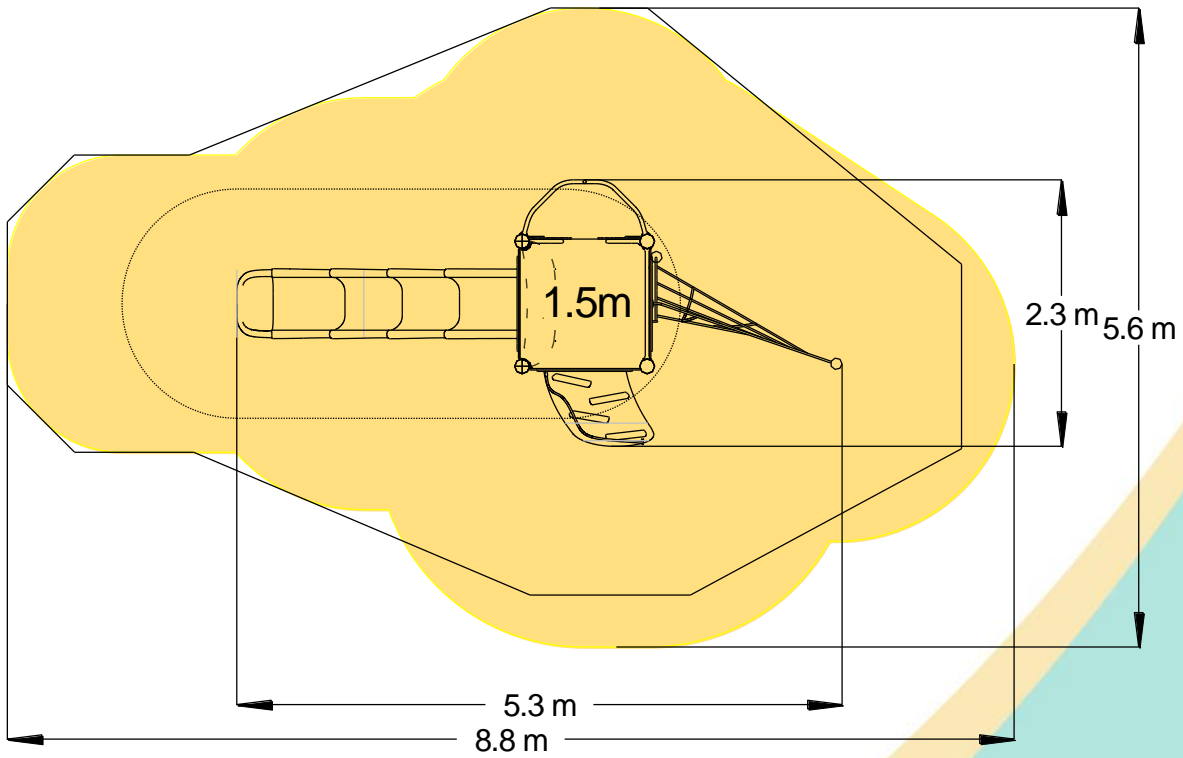
Certified to EN 1176

[Click here for more information & downloads](#)





-  Impact Area
-  Free Space
-  Synthetic Area



[Click here for more information & downloads](#)

