



Jukebox – Mambo Plus



 Option A-
Dark Blue/Yellow

 Option B-
Purple/Lime Green
(Shown)

 Option C-
Green

Code – JB/MAM/*1

Age

6-12 years

Materials

Laminated Timber

Compact Grade Laminate (CGL)

Galvanised or Painted Mild Steel

Nylon Steel Cored Rope

Stainless Steel Wide Slide

Various Plastic Mouldings

A junior modular tower system comprising of:

- Square Tower (1.5m)
- Slide (1.5m)
- Rope Ramp (1.5m)
- Ball Maze Play Panel
- Inclusive Access Net
- Seat
- Spinball Play Panel

Technical Information

Equipment Dimensions

Length / Width / Height **6.5 m x 3.3m x 3.4m**

Surfacing and Area Required

Recommended Minimum Space
L/W/H **10.3m x 6.6m x 4.6m**

Max Gradient of Ground **1 in 50**

Free Height of Fall **1.5m**

Impact Area **35.49m²**

Synthetic Area
(i.e. EPDM / Wetpour / Synthetic Grass etc.) **35.94m²**

Loosefill at 250mm
(i.e. Bark / Cushionfall / Sand) **13m³**

1m x 1m Grassmats **47m²**

Installation Information

Steel Ground Fixed

Surface Fixed
(if different)

Installation Time **2 Person(s) 11 Hour(s)**

Overall Weight **722kg**

Heaviest Part **93kg**

Largest Part **3.8m x 1.0m x 1.1m**

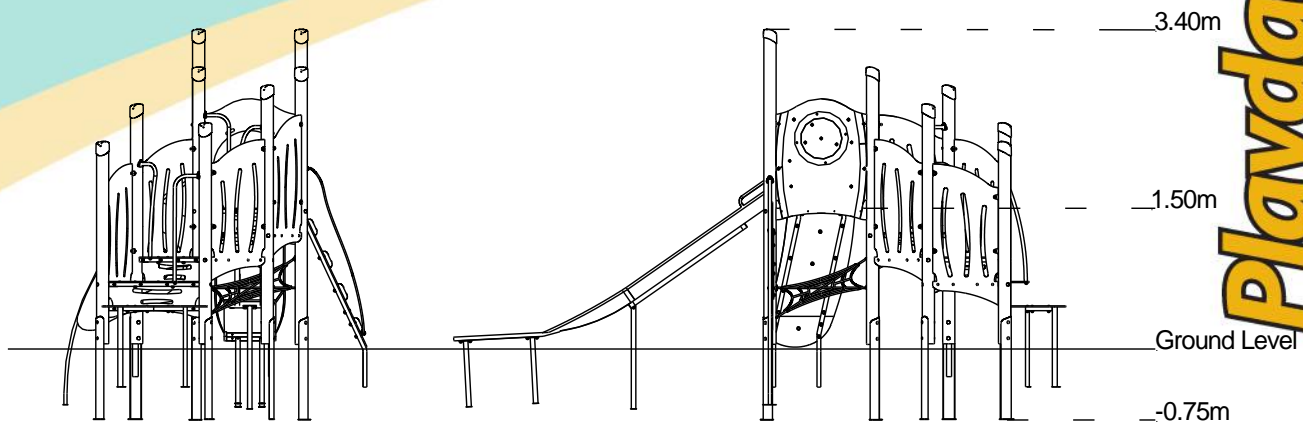
Longest Part **3.8m**

Concrete Required **1.0m³**

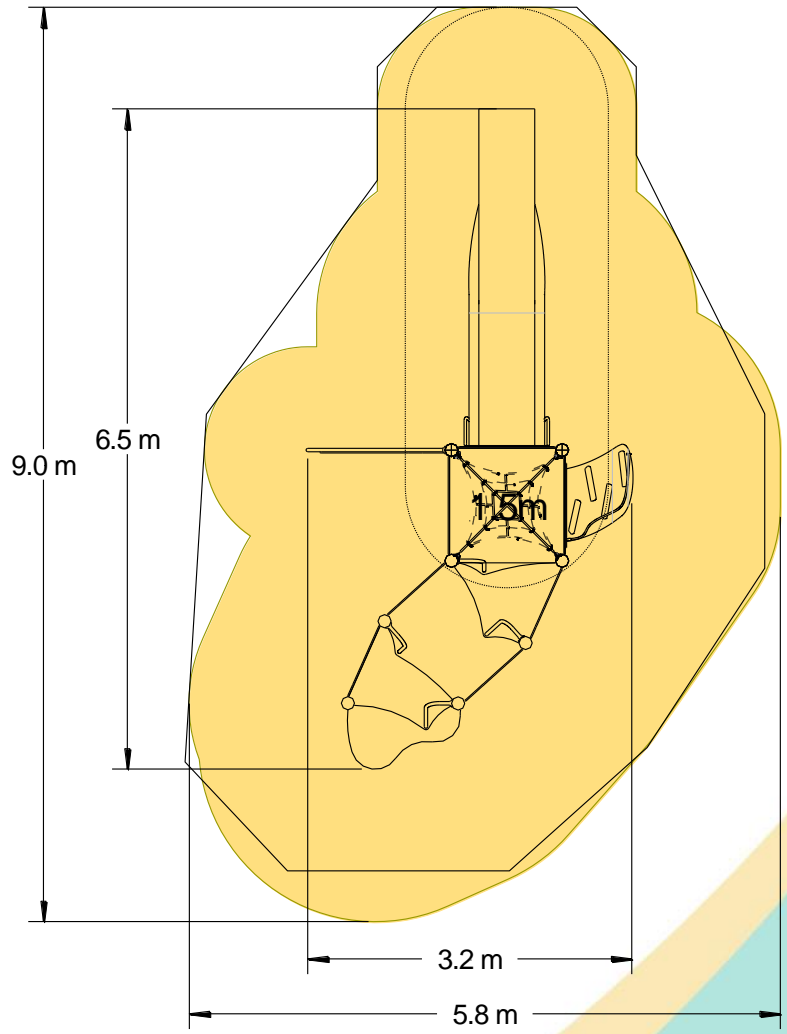
Certified to EN 1176

[Click here for more information & downloads](#)





-  Impact Area
-  Free Space
-  Synthetic Area



[Click here for more information & downloads](#) 