


Little Hamlets – Littlebeck Plus



A toddler tower system comprising of:

- Square Tower (1.25m) Slide (0.55m)
- Slide (1.25m)
- Arched Net Climber (1.25m)
- Ramp Climber (1.25m)
- Bubble Play Panel

-  Option A-
Light Blue/Yellow
-  Option B-
Purple/Yellow
-  Option C-
Green
(Shown)

Code – LTH/LTB/*1

Age	2-5 years
Materials	Laminated Timber Compact Grade Laminate (CGL) Galvanised or Painted Mild Steel Nylon Steel Cored Rope LLDPE Slide Stainless Steel Various Plastic Mouldings

Technical Information

Equipment Dimensions

Length / Width / Height **3.7m x 1.7m x 2.6m**

Surfacing and Area Required

Recommended Minimum Space
L/W/H **7.6m x 5.3m x 3.9m**

Max Gradient of Ground **1 in 50**

Free Height of Fall **1.25m**

Impact Area **21.60m²**

Synthetic Area
(i.e. EPDM / Wetpour / Synthetic Grass etc.) **19.98m²**

Loosefill at 250mm
(i.e. Bark / Cushionfall / Sand) **8m³**

1m x 1m Grassmats **24m²**

Installation Information

Installation Time **2 Person(s) 6 Hour(s)**

Overall Weight **155kg**

Heaviest Part **27kg**

Largest Part **2.4m x 0.5m x 0.5m**

Longest Part **2.4**

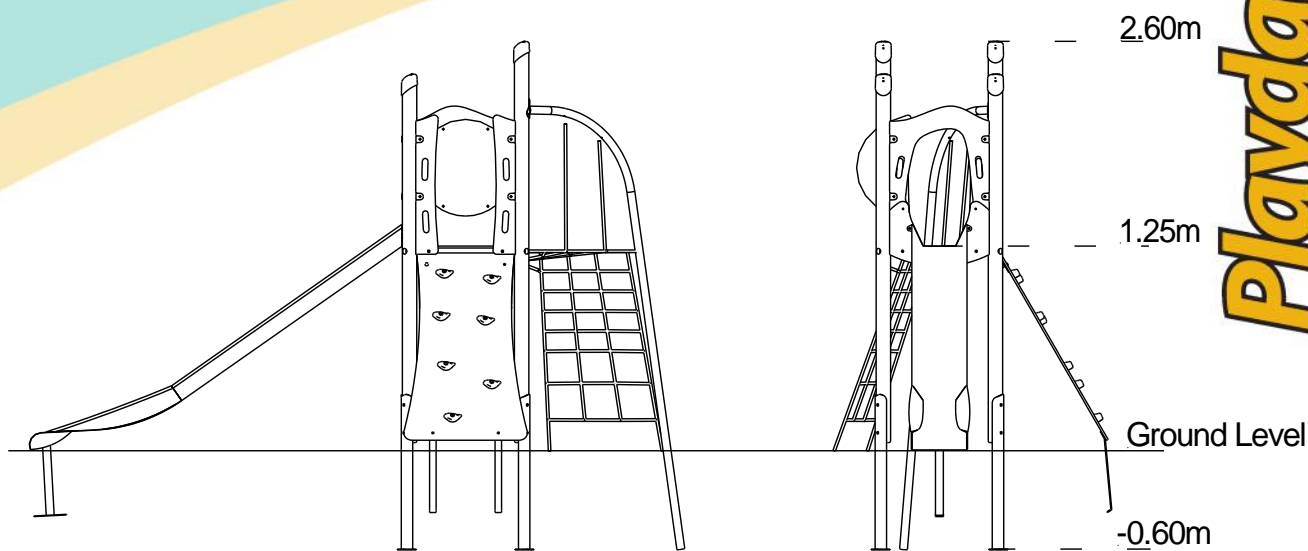
Concrete Required **0.6m³**

Surface Fixed
(if different)

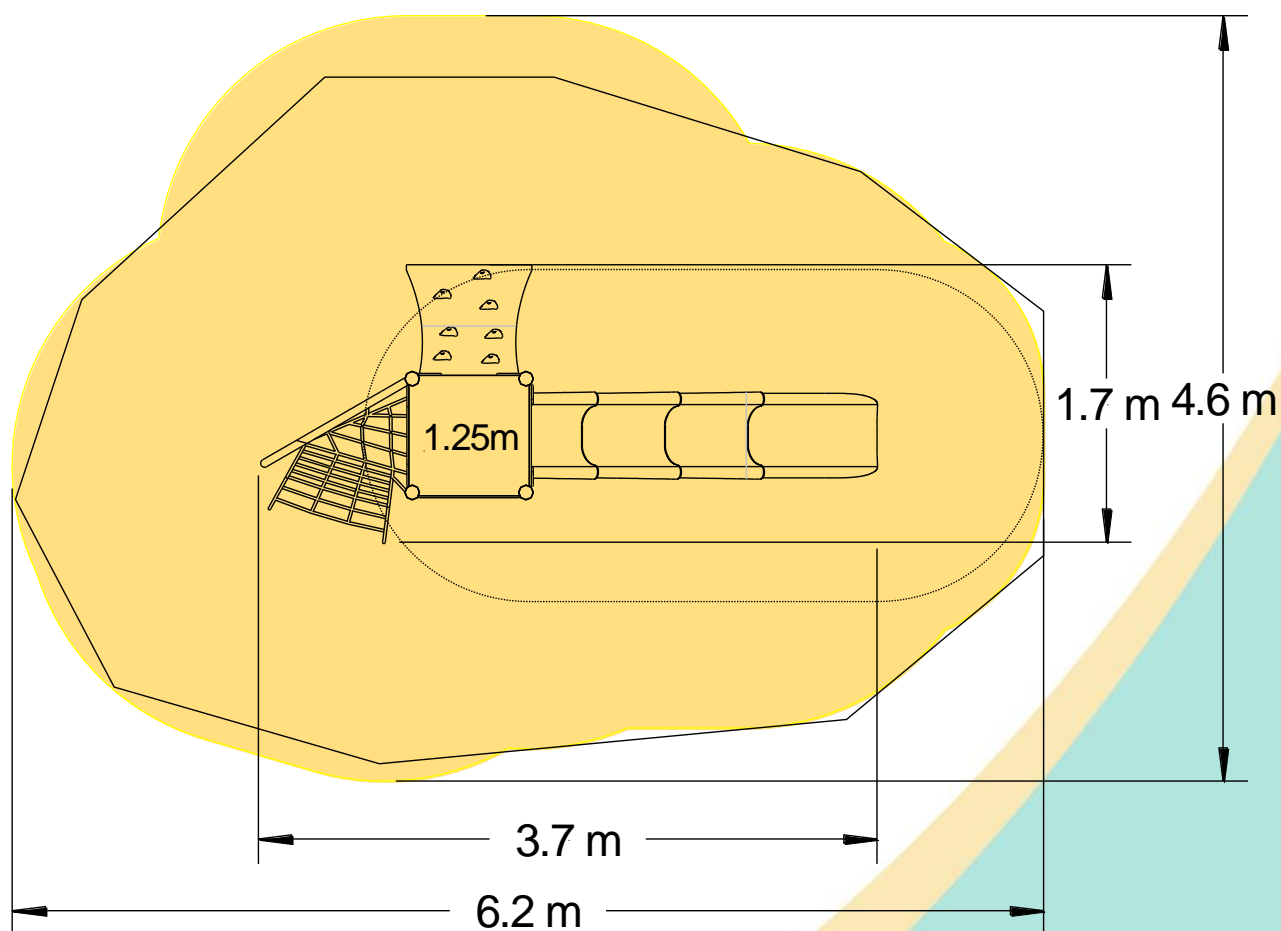
Certified to EN 1176

[Click here for more information & downloads](#)





-  Impact Area
-  Free Space
-  Synthetic Area



[Click here for more information & downloads](#)

