

Jukebox – Calypso Plus



A junior tower system comprising of:

- Triangular Tower (1.5m)
- Pole Slide (1.5m)
- Rope Ramp (1.5m)
- Climber with Fireman's Pole (1.5m)

-  Option A-
Dark Blue/Yellow
-  Option B-
Purple/Lime Green
-  Option C-
Green
(Shown)

Code – JB/CAL/*1

Age
5-12 years
Materials
Laminated Timber
Compact Grade Laminate (CGL)
Galvanised or Painted Mild Steel
Nylon Steel Cored Rope
Stainless Steel Pole Slide
Various Plastic Mouldings

Technical Information

Equipment Dimensions

Length / Width / Height **4.2m x 2.7m x 3.4m**

Surfacing and Area Required

Recommended Minimum Space
L/W/H **7.7m x 6.4m x 4.6m**

Max Gradient of Ground **1 in 50**

Free Height of Fall **1.5m**

Impact Area **37.69m²**

Synthetic Area
(i.e. EPDM / Wetpour / Synthetic Grass etc.) **30.00m²**

Loosefill at 250mm
(i.e. Bark / Cushionfall / Sand) **9m³**

1m x 1m Grassmats **39m²**

Installation Information

Steel Ground Fixed

Surface Fixed
(if different)

Installation Time **2 Person(s) 9 Hour(s)**

Overall Weight **388kg**

Heaviest Part **40kg**

Largest Part **1.7m x 2.4m x 0.1m**

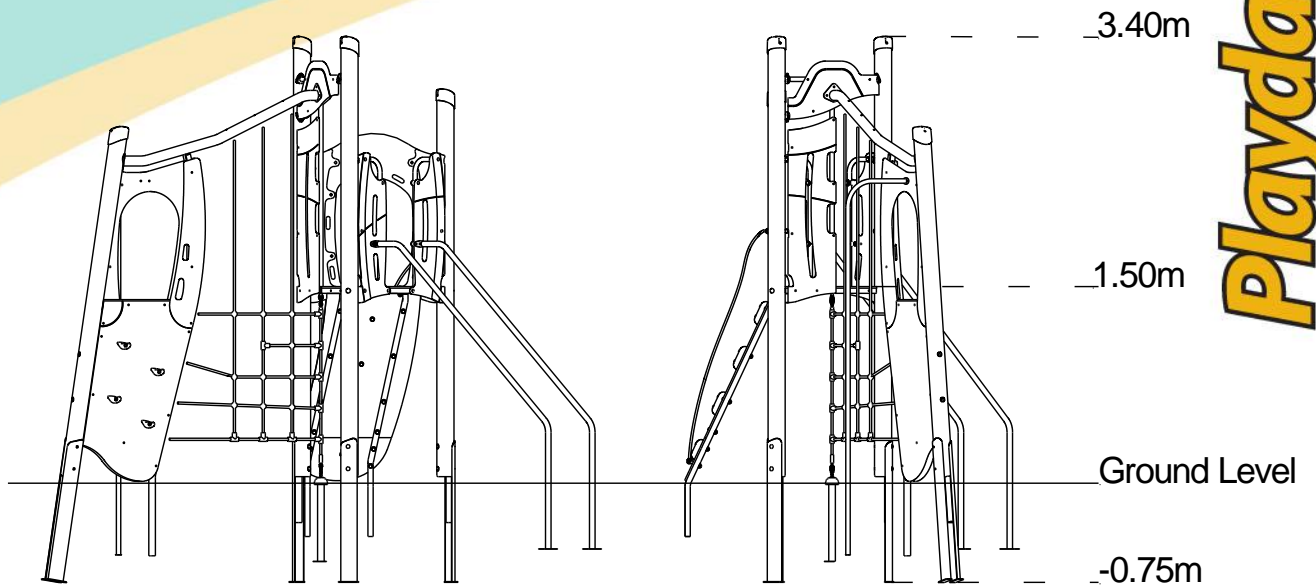
Longest Part **3.3m**

Concrete Required **0.6m³**

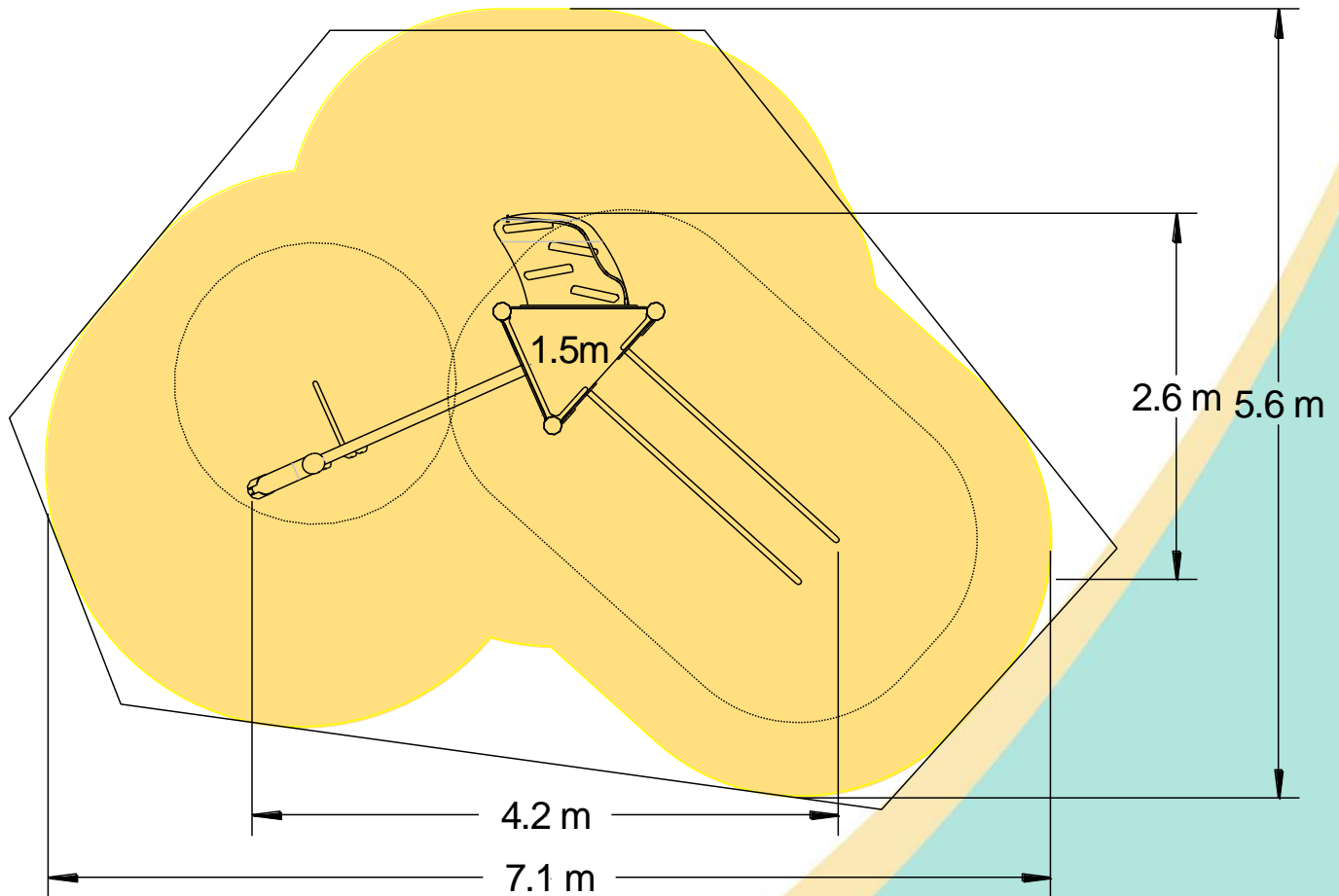
Certified to EN 1176

[Click here for more information & downloads](#)





- Impact Area
- Free Space
- Synthetic Area



[Click here for more information & downloads](#)

