



Jukebox- Be-Bop Plus



-  Option A-
Dark Blue/Yellow
(Shown)
-  Option B-
Purple/Lime Green
-  Option C-
Green

Code – JB/BEB/*1

Age

5-12 years

Materials

Laminated Timber

Compact Grade Laminate (CGL)

Galvanised or Painted Mild Steel

Nylon Steel Cored Rope

Stainless Steel

Various Plastic Mouldings

A Junior modular tower system comprising of:

- Square Tower (1.9m)
- Slide (1.9m)
- Inverted Climber (1.25m)
- Rope Weaver
- Lookout Tower
- Pod Seat

Technical Information

Equipment Dimensions

Length / Width / Height **6.7m x 2.2m x 3.8m**

Surfacing and Area Required

Recommended Minimum Space
L/W/H **10.6m x 5.9m x 5.0m**

Max Gradient of Ground **1 in 50**

Free Height of Fall **1.9m**

Impact Area **39.02m²**

Synthetic Area
(i.e. EPDM / Wetpour / Synthetic Grass etc.) **38.39m²**

Loosefill at 250mm
(i.e. Bark / Cushionfall / Sand) **13m³**

1m x 1m Grassmats **52m²**

Installation Information

Steel Ground Fixed

Surface Fixed
(if different)

Installation Time **2 Person(s) 10 Hour(s)**

Overall Weight **445kg**

Heaviest Part **40kg**

Largest Part **2.4m x 0.9m x 0.6m**

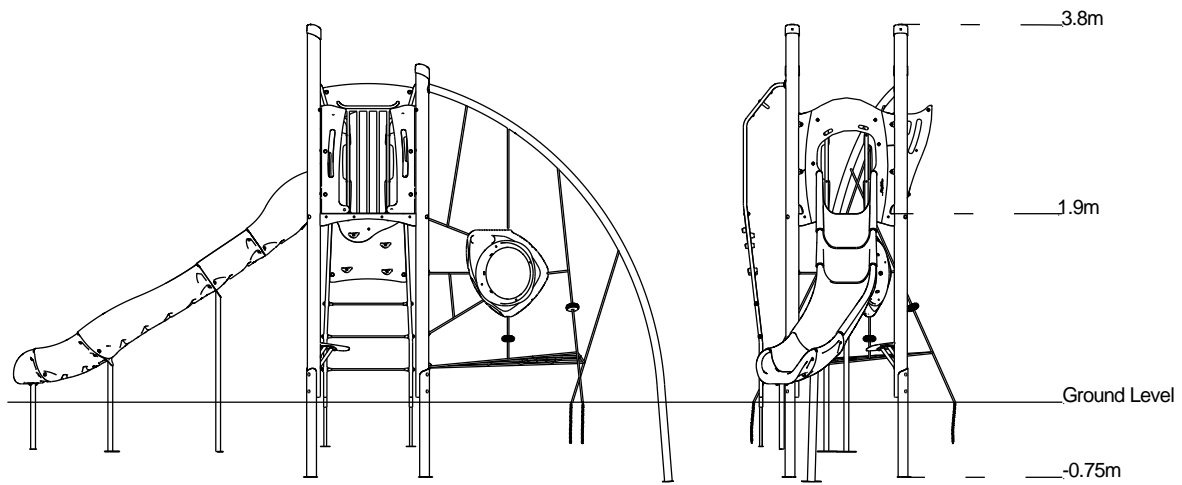
Longest Part **3.7m**

Concrete Required **0.7m³**

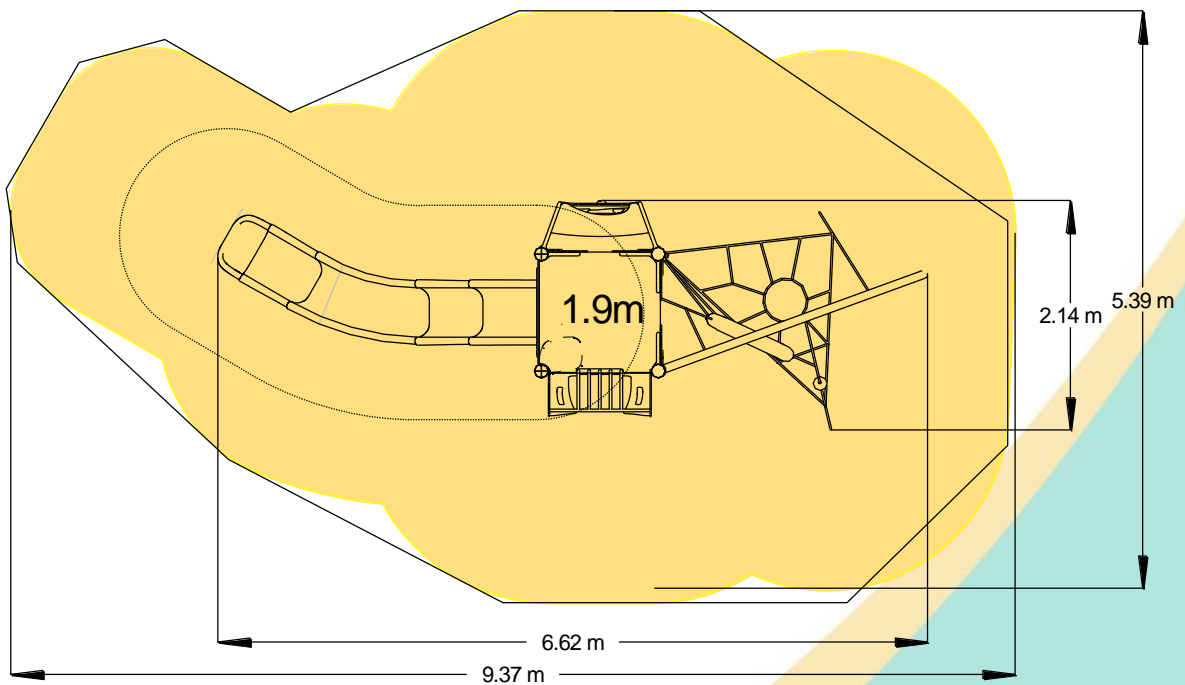
Certified to EN 1176

[Click here for more information & downloads](#)





- Impact Area
- Free Space
- Synthetic Area



[Click here for more information & downloads](#)